

# AF VALVE

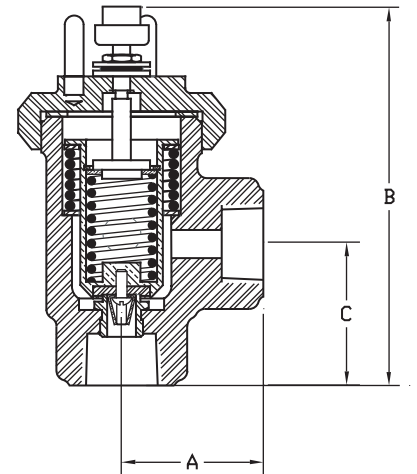
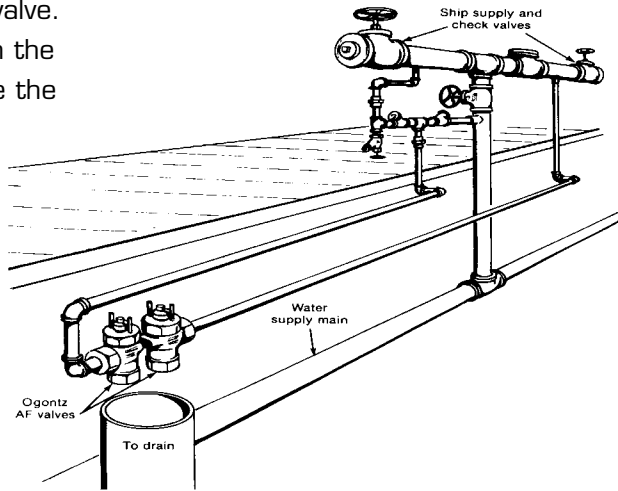
# AUTOMATIC FREEZE PROTECTION FOR EXTREME CLIMATES

## THE OGONTZ AF VALVE APPLICATIONS

- Water lines exposed on piers
- Ship supply lines

## SPECIFICATIONS AND INFORMATION

The AF Valve is an ambient temperature actuated valve. The thermal actuator in the Type AF Valve is outside the valve body, making it sensitive to ambient temperatures. Primary applications include piping systems on piers exposed to harsh weather conditions



## TYPE AF VALVE SELECTION CHART

SIZE (NPT)	VALVE TYPE	Temperature Set Point Range to Fully Open	Port	Maximum Operating Pressure	Cv	Action	Body Material	Dimensions ±1/8"			Net Weight
								A	B	C	
3/4"	AF	35° to 240°F (1.7° to 116°C)	A = 1/8"	200 psi (13.61 bar)	0.5	D	B, S	1-7/8"	5-1/4"	1-7/8"	2-3/4lbs.
			B = 1/4"	200 psi (13.61 bar)	0.8	D	B, S	1-7/8"	5-1/4"	1-7/8"	2-3/4lbs.
			C = 3/8"	200 psi (13.61 bar)	1.0	D	B, S	1-7/8"	5-1/4"	1-7/8"	2-3/4lbs.

D – Closes on Temperature Rise. B – Brass S – Stainless Steel Maximum flow rate for water with valve fully open:  $GPM = C_v \sqrt{\Delta P}$

## THE OGONTZ GUARANTEE

We will repair or replace on a no-charge basis, F.O.B. Willow Grove, PA, units returned to us within 18 months if found to be defective in material or workmanship.



Ogontz has a policy of continuous product research and improvement, and reserves the right to change design and specifications without notice.

2835 Terwood Road • Willow Grove, PA 19090  
 TEL: 215.657.4770 • 1-800-523-2478 • FAX: 215.657.0460  
 E-mail: info@ogontz.com • Website: www.ogontz.com