



OGONTZ

*the Ogontz*

# OSP VALVE

**AUTOMATIC SCALD &  
OVERTEMPERATURE  
PROTECTION VALVE**

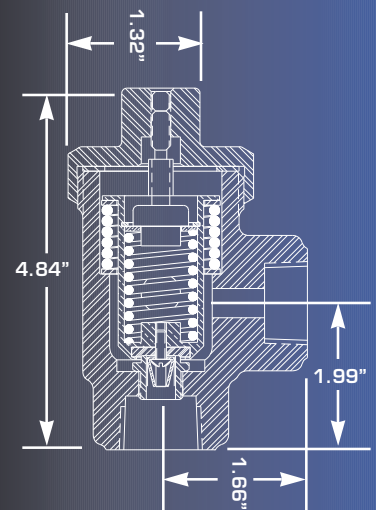
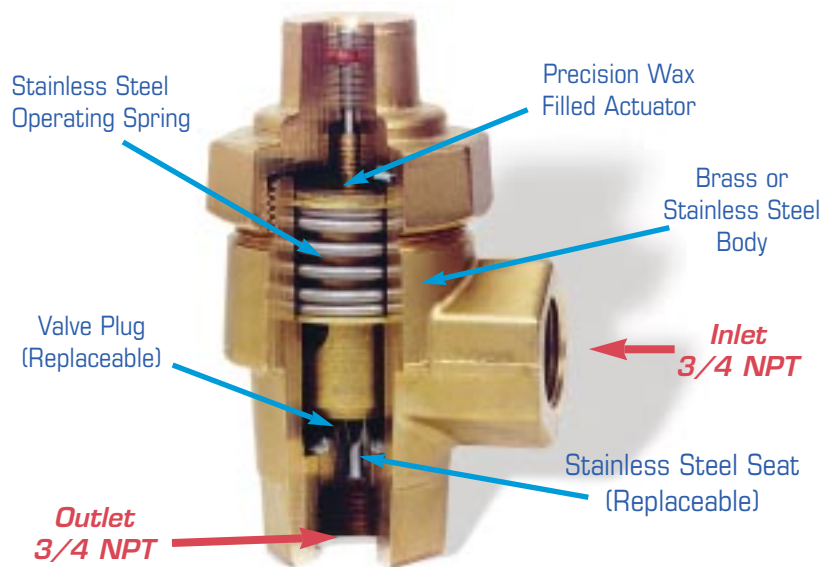
OSP

VALVE

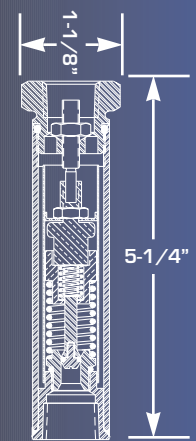
## SELF CONTAINED, SELF ACTUATING OPERATION

The OSP valve utilizes the proven Ogontz self-actuating operation, in which hydrocarbon wax expands and closes the valve as water or steam temperature rises to the setpoint, and contracts as temperature falls, opening the flow. The latter feature also automatically protects lines from freezing.

### THE OGONTZ OSP VALVE



3/4" OSP



1/2" OSP

### OSP GENERAL SPECIFICATIONS

Model Number	Port Size	Temperature Setpoints	Max. Operating Pressure-psi	Action	Cv	Body Material	Net Weight
3/4 OSP CD*	3/8"	35-250° F	200 psi	D**	1.2	B.S.S	2-3/4 lbs.
1/2 OSP BDT	1/4"	35-250° F	200 psi	D**	.8	S.S.	3/4 lb.

\* Body material Brass or Stainless Steel. **Note:** Contact the factory for valves to 2" NPT

\*\* D-direct acting valve will close on temperature raise.

### TYPICAL APPLICATIONS

High temperature sensitivity provides overtemperature/scald protection for washdown stations in oil refineries, chemical plants, paper mills, nursing homes and many other locations.

The OSP is ideal for any industrial or commercial application where steam and hot water are being used and mixed with cold water to produce a specific temperature.

### THE OGONTZ GUARANTEE

We will repair or replace on a no-charge basis, F.O.B. Willow Grove, PA, OSP units returned to us within 18 months if found to be defective in material or workmanship.

## AUTOMATIC SCALD & OVERTEMPERATURE PROTECTION VALVE

The OSP valve is a fluid sensing thermally sensitive control valve. The valve is self-contained. No external power or air source is required. If fluid temperature reaches the factory-calibrated setpoint, the valve closes eliminating the possibility of above specified fluid temperature. Once the temperature returns to a safe temperature the valve re-opens.



2835 Terwood Road • P.O. Box 479 • Willow Grove, PA 19090 • TEL: 215.657.4770  
1-800-523-2478 • FAX: 215.657.0460 • E-mail: info@ogontz.com • Website: www.ogontz.com